

VINYL SIDING

TWO (2) LAYERS WEATHER-RESISTANT BARRIER

6" SELF ADHERED FLASHING

DRIP EDGE

SEE DETAIL "A"

QUALITY STONE VENEER SANDSTONE CLIP SILL (3"W x 3"H x 24"L)-
INSTALLED PER MANUFACTURER'S SPECIFICATIONS

STUD WALL

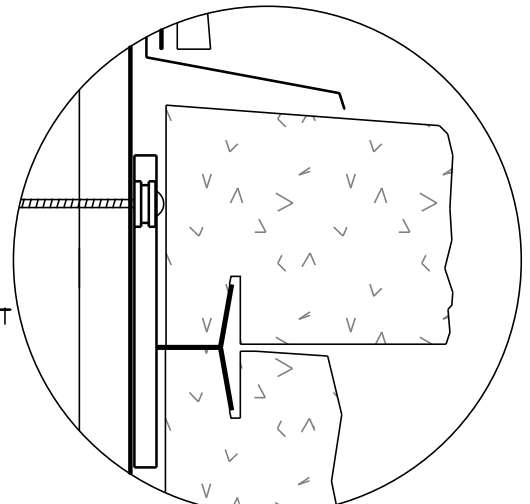
SHEATHING (CAPABLE OF SUPPORTING 20 PSF LOAD)
(GROUTED PANELS TO HAVE DEFLECTION LIMIT NO LESS THAN L/600)

TWO (2) LAYERS WEATHER-RESISTANT BARRIER

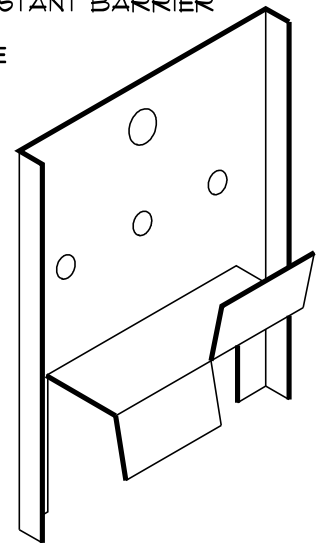
AIR SPACE / DRAINAGE PLANE

20 GAUGE GALVANIZED METAL CLIP
MINIMUM 2 PCS PER S.F.

QUALITY STONE VENEER
INSTALLED PER MANUFACTURER'S SPECIFICATIONS



DETAIL "A"
(1:2)



20 GAUGE GALVANIZED METAL CLIP 180

SECTION VIEW

Rev. 8/18/2020

QSV-31.0

SCALE: 3" = 1'-0"

MANUFACTURED STONE CLIP SYSTEM AT KNEE WALL

FOR STUCCO, MASONITE,
WOOD & VINYL SIDING

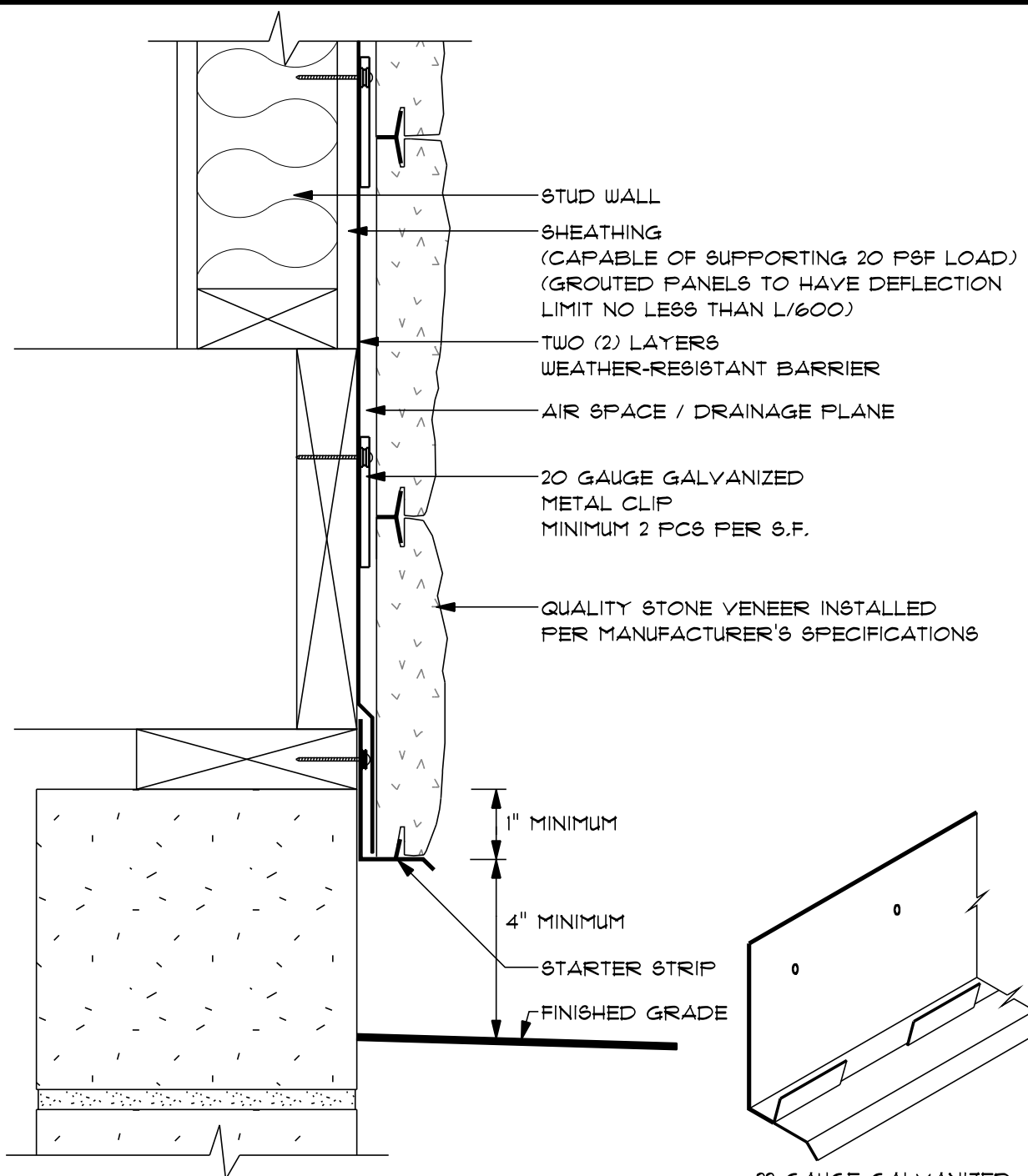
QUALITY STONE VENEER

PHONE: 1-800-795-3229
FAX: 717-786-4038

WWW.QUALITYSTONEVENEER.COM



est. 1976



STUD WALL

SHEATHING
(CAPABLE OF SUPPORTING 20 PSF LOAD)
(GROUTED PANELS TO HAVE DEFLECTION
LIMIT NO LESS THAN L/600)

TWO (2) LAYERS
WEATHER-RESISTANT BARRIER

AIR SPACE / DRAINAGE PLANE

20 GAUGE GALVANIZED
METAL CLIP
MINIMUM 2 PCS PER S.F.

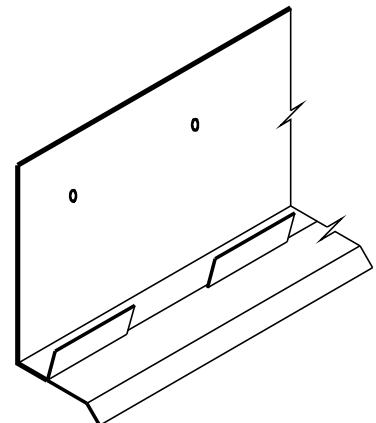
QUALITY STONE VENEER INSTALLED
PER MANUFACTURER'S SPECIFICATIONS

1" MINIMUM

4" MINIMUM

STARTER STRIP

FINISHED GRADE



22 GAUGE GALVANIZED
METAL STARTER STRIP 150

SECTION VIEW

Rev. 8/18/2020

QSV-32.0

SCALE: 3" = 1'-0"

MANUFACTURED STONE
CLIP SYSTEM ON STUD WALL

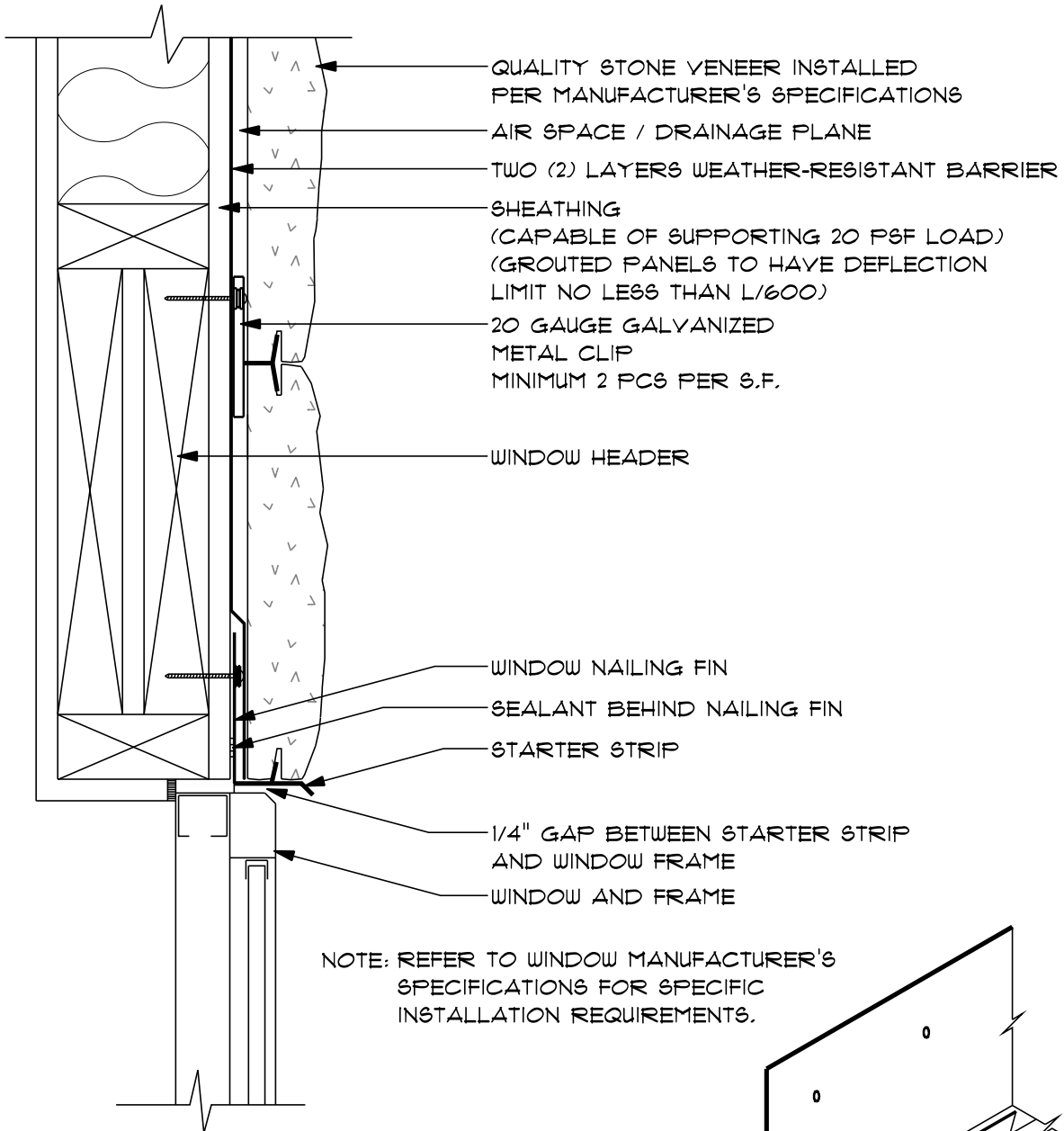
STARTER STRIP INSTALLED AT C.M.U.

QUALITY STONE VENEER

PHONE: 1-800-795-3229
FAX: 717-786-4038

WWW.QUALITYSTONEVENEER.COM

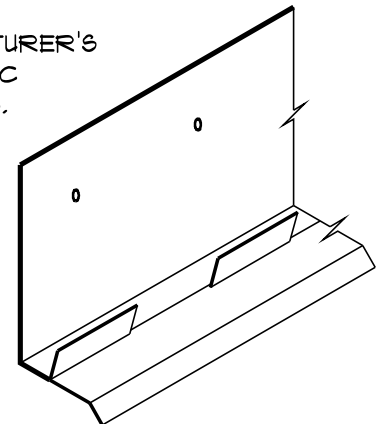
est. 1976



- QUALITY STONE VENEER INSTALLED PER MANUFACTURER'S SPECIFICATIONS
- AIR SPACE / DRAINAGE PLANE
- TWO (2) LAYERS WEATHER-RESISTANT BARRIER
- SHEATHING (CAPABLE OF SUPPORTING 20 PSF LOAD) (GROUTED PANELS TO HAVE DEFLECTION LIMIT NO LESS THAN L/600)
- 20 GAUGE GALVANIZED METAL CLIP MINIMUM 2 PCS PER S.F.
- WINDOW HEADER
- WINDOW NAILING FIN
- SEALANT BEHIND NAILING FIN
- STARTER STRIP
- 1/4" GAP BETWEEN STARTER STRIP AND WINDOW FRAME
- WINDOW AND FRAME

NOTE: REFER TO WINDOW MANUFACTURER'S SPECIFICATIONS FOR SPECIFIC INSTALLATION REQUIREMENTS.

SECTION VIEW



22 GAUGE GALVANIZED METAL STARTER STRIP 160

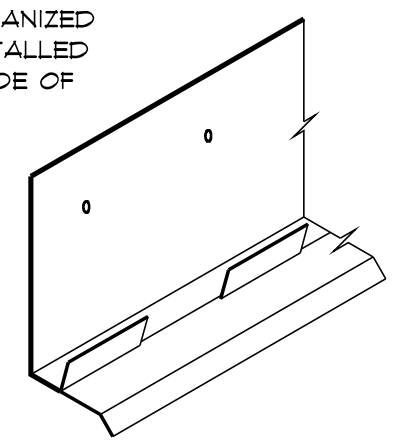
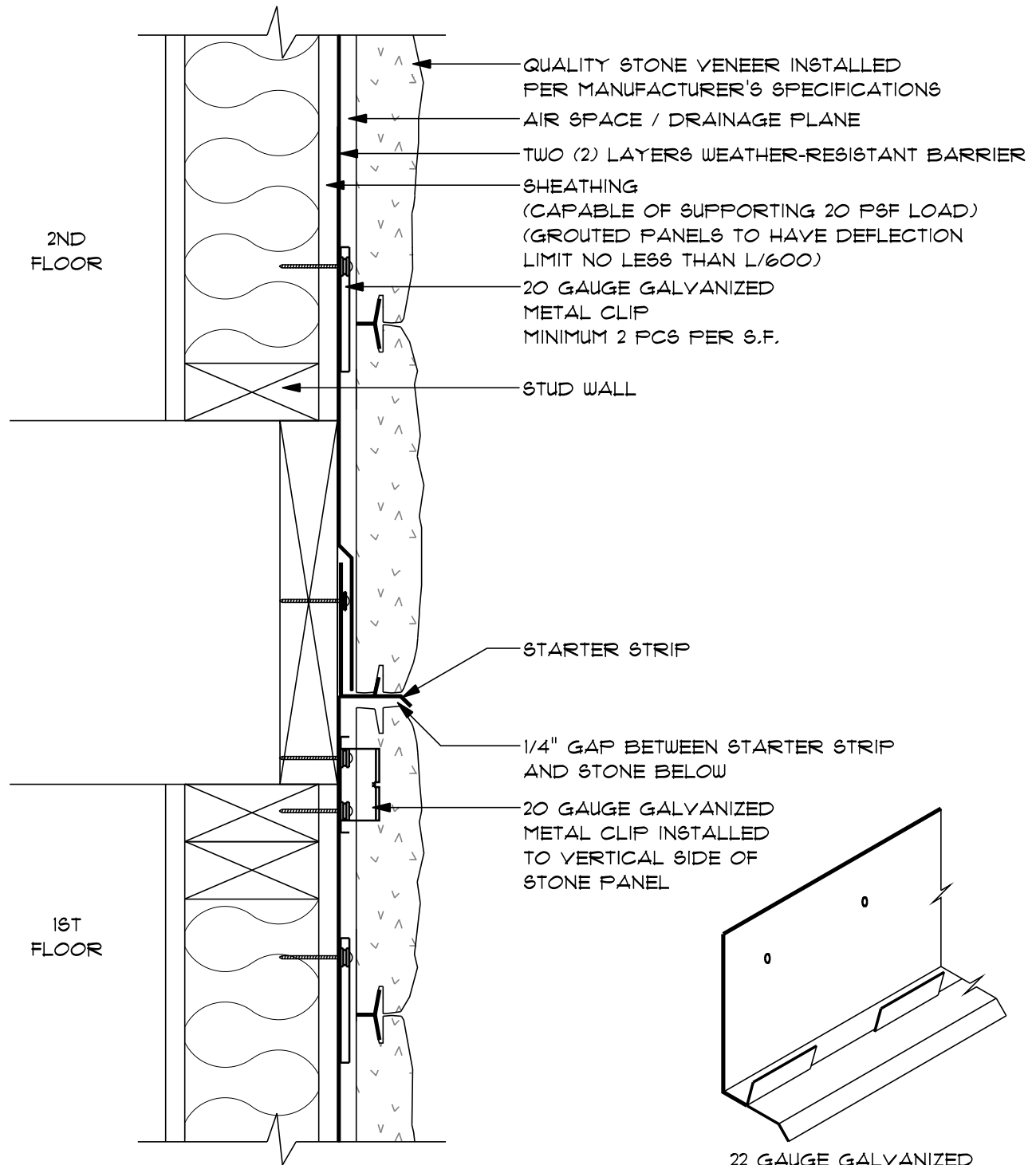
Rev. 8/18/2020

QSV-33.0
SCALE: 3" = 1'-0"

TOP OF WINDOW DETAIL AT MANUFACTURED STONE w/ CLIP SYSTEM
INSTALLATION AT STUD WALL

QUALITY STONE VENEER
PHONE: 1-800-795-3229
FAX: 717-786-4038
WWW.QUALITYSTONEVENEER.COM

est. 1976



22 GAUGE GALVANIZED METAL STARTER STRIP 180

SECTION VIEW

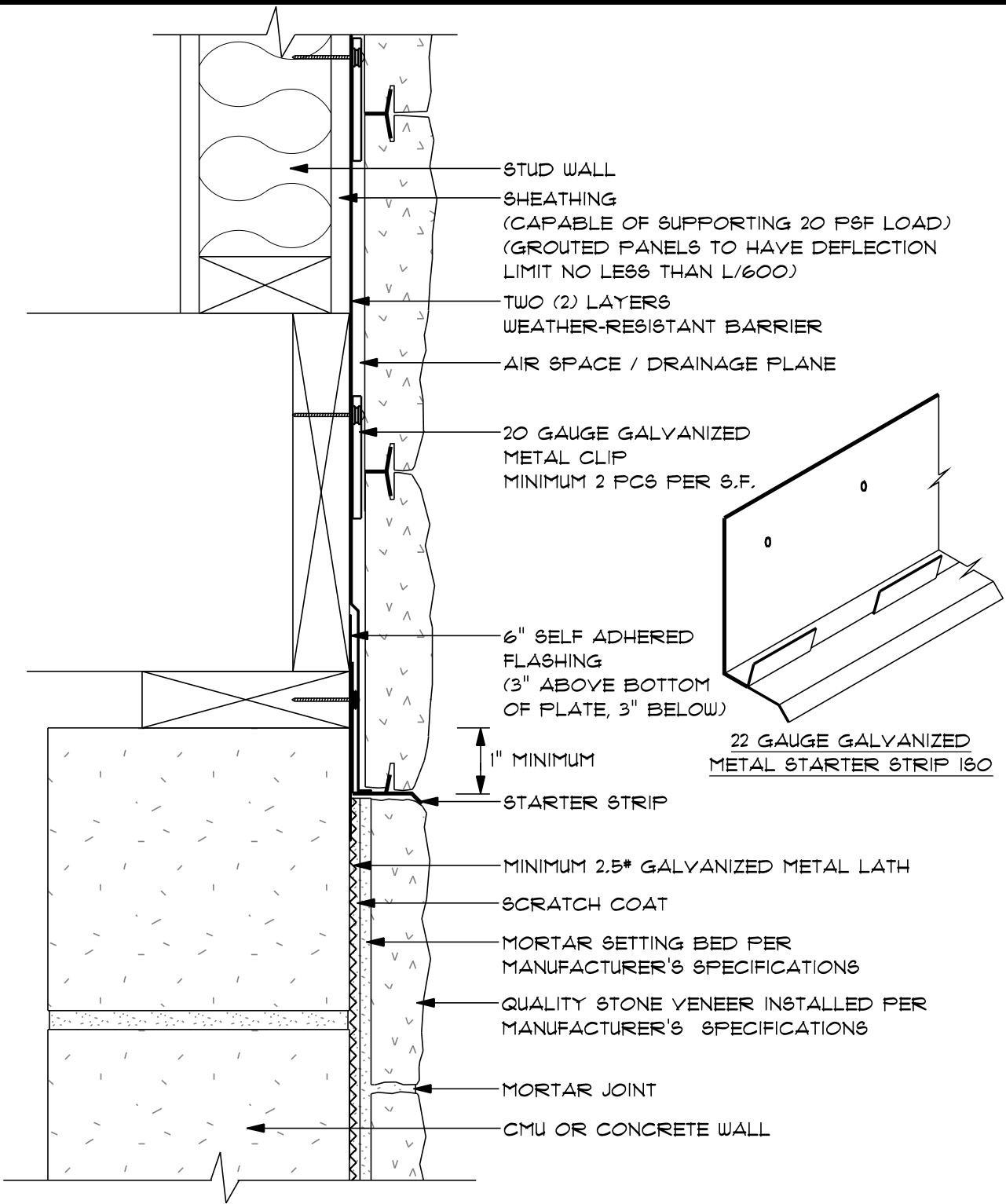
Rev. 8/18/2020

QSV-34.0
SCALE: 3" = 1'-0"

TRANSITION BETWEEN EACH FLOOR MANUFACTURED STONE w/ CLIP SYSTEM
INSTALLATION AT STUD WALL

QUALITY STONE VENEER
PHONE: 1-800-795-3229
FAX: 717-786-4038
WWW.QUALITYSTONEVENEER.COM





- STUD WALL
- SHEATHING
(CAPABLE OF SUPPORTING 20 PSF LOAD)
(GROUTED PANELS TO HAVE DEFLECTION
LIMIT NO LESS THAN L/600)
- TWO (2) LAYERS
WEATHER-RESISTANT BARRIER
- AIR SPACE / DRAINAGE PLANE
- 20 GAUGE GALVANIZED
METAL CLIP
MINIMUM 2 PCS PER S.F.
- 6" SELF ADHERED
FLASHING
(3" ABOVE BOTTOM
OF PLATE, 3" BELOW)
- 1" MINIMUM
- STARTER STRIP
- MINIMUM 2.5# GALVANIZED METAL LATH
- SCRATCH COAT
- MORTAR SETTING BED PER
MANUFACTURER'S SPECIFICATIONS
- QUALITY STONE VENEER INSTALLED PER
MANUFACTURER'S SPECIFICATIONS
- MORTAR JOINT
- CMU OR CONCRETE WALL

22 GAUGE GALVANIZED
METAL STARTER STRIP 160

SECTION VIEW

Rev. 8/18/2020

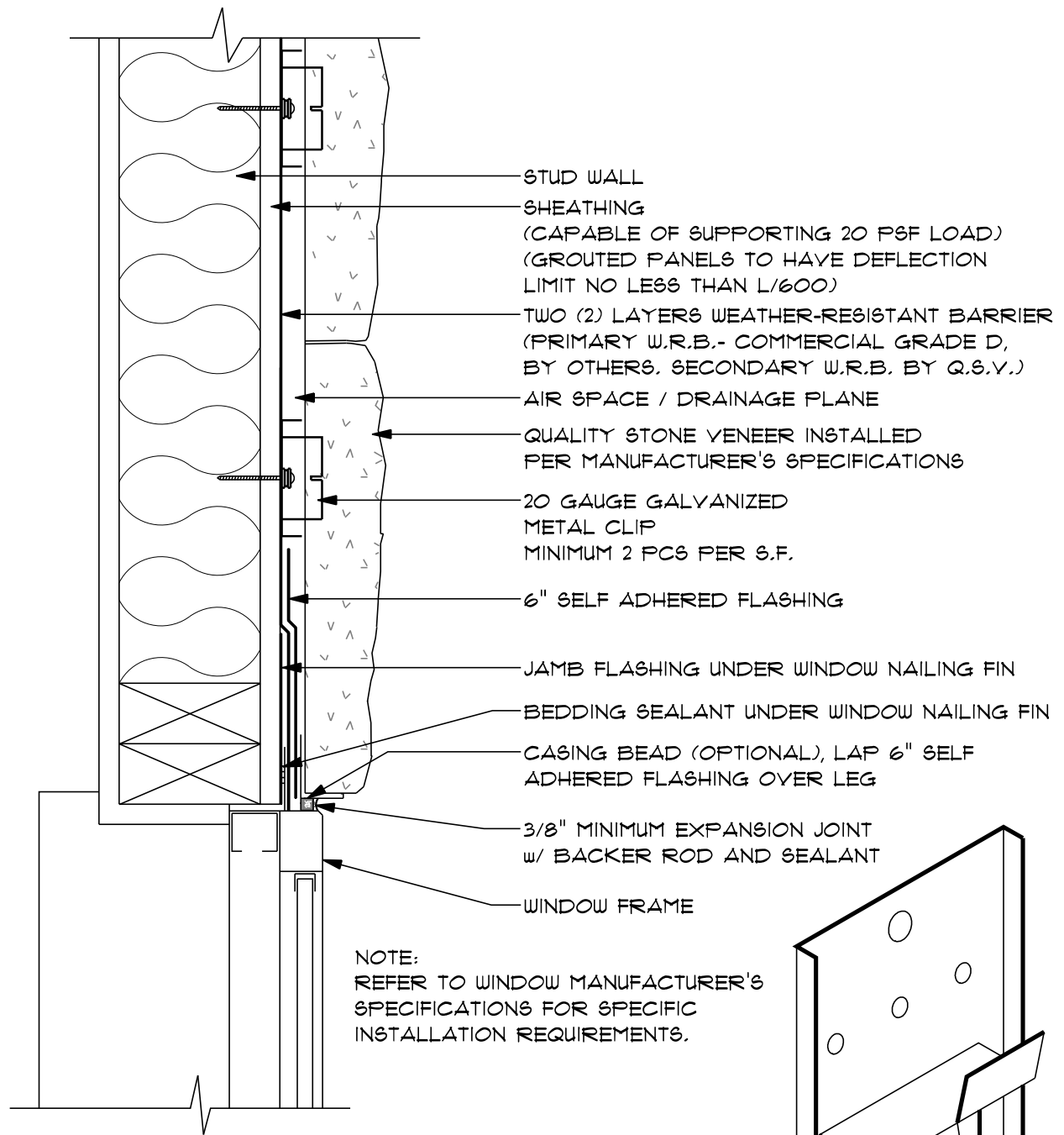
QSV-35.0

SCALE: 3" = 1'-0"

**MANUFACTURED STONE
CLIP SYSTEM ON STUD WALL
AND MANUFACTURED STONE
AT FOUNDATION WALL**

STARTER STRIP INSTALLED AT C.M.U.

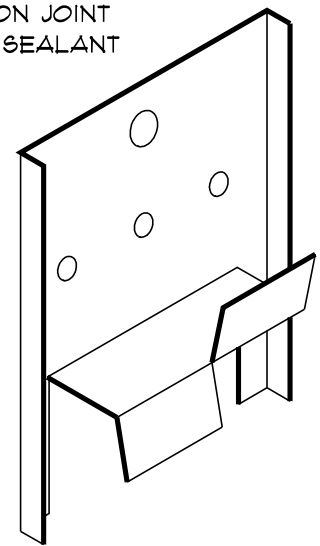
QUALITY STONE VENEER
 PHONE: 1-800-795-3229
 FAX: 717-786-4038
 WWW.QUALITYSTONEVENEER.COM
 est. 1976



- STUD WALL
- SHEATHING
(CAPABLE OF SUPPORTING 20 PSF LOAD)
(GROUTED PANELS TO HAVE DEFLECTION
LIMIT NO LESS THAN L/600)
- TWO (2) LAYERS WEATHER-RESISTANT BARRIER
(PRIMARY W.R.B.- COMMERCIAL GRADE D,
BY OTHERS, SECONDARY W.R.B. BY Q.S.V.)
- AIR SPACE / DRAINAGE PLANE
- QUALITY STONE VENEER INSTALLED
PER MANUFACTURER'S SPECIFICATIONS
- 20 GAUGE GALVANIZED
METAL CLIP
MINIMUM 2 PCS PER S.F.
- 6" SELF ADHERED FLASHING
- JAMB FLASHING UNDER WINDOW NAILING FIN
- BEDDING SEALANT UNDER WINDOW NAILING FIN
- CASING BEAD (OPTIONAL), LAP 6" SELF
ADHERED FLASHING OVER LEG
- 3/8" MINIMUM EXPANSION JOINT
w/ BACKER ROD AND SEALANT
- WINDOW FRAME

NOTE:
REFER TO WINDOW MANUFACTURER'S
SPECIFICATIONS FOR SPECIFIC
INSTALLATION REQUIREMENTS.

PLAN VIEW



20 GAUGE GALVANIZED
METAL CLIP 150

Rev. 8/18/2020

QSV-36.0

SCALE: 3" = 1'-0"

SIDE OF WINDOW DETAIL
WITH MANUFACTURED STONE
CLIP SYSTEM

QUALITY STONE VENEER

PHONE: 1-800-795-3229
FAX: 117-186-4038

WWW.QUALITYSTONEVENEER.COM



est. 1976